



POWER TRIM

Electric Line Trimmer 500W

Model No. 101LET500

Operator's Manual



WARNING

To reduce the risk of injury, the user must read and understand the Operator's Manual. Save this manual.

Introduction

Thank you for purchasing a Pope product.

We would like you to be completely satisfied with your new product, so feel free to contact Pope for help with any information you require.

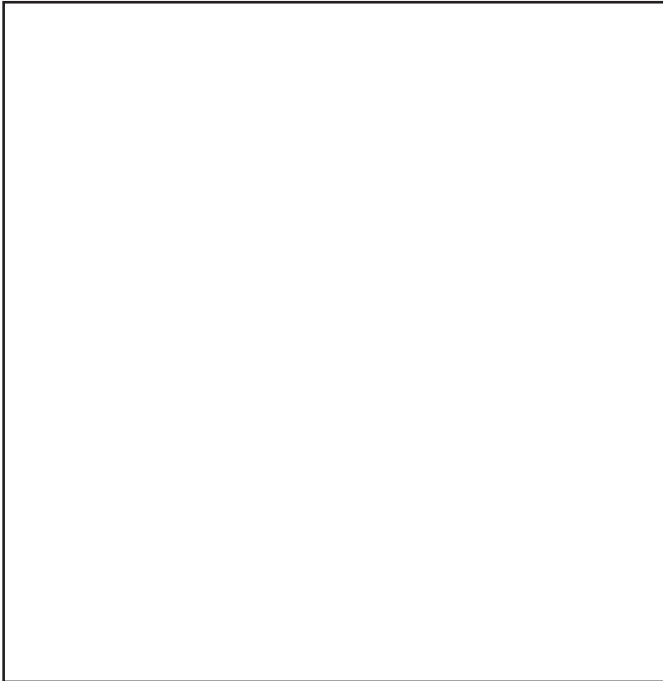
Pope's Customer Service centre number is 1300 134 880.

Please read this manual carefully to learn how to operate and maintain your product correctly. It is important to consult these instructions in order to acquaint yourself with the tool, its proper use and safety precautions.

Please observe the general maximum operating times as well as local regulations for tool operation.

Should this product require repair under the conditions of the warranty, please return it to the place of purchase. You will need to provide proof of purchase to obtain a free of charge repair, or a replacement.

**Keep these instructions in a safe place.
For your records, attach your receipt here.**



Symbols for electrical hazards



Read instruction sheet



Keep bystanders away



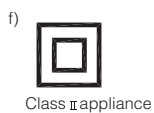
Wear eye protection



Do not expose to moisture



Disconnect the mains plug if the cord is damaged or entangled



Regulator compliance mark

V: Voltage

~: Alternating current

Hz: Hertz

W: Watts

SAFETY RULES



WARNING

Read and understand all instructions. Failure to follow all instructions may result in serious personal injury as well as damage to the product.

- **Physical Condition of the Operator.** Do not operate this product when tired, ill or under the influence of alcohol, drugs or medication.
- **Clothing Requirements.** Always wear long heavy pants, boots and gloves. Do not wear loose clothing, jewellery, short pants, sandals or go barefoot. Secure hair so that it is above shoulder level to avoid entanglement in moving parts.
- **Protective Accessories Requirements.** Wear safety eye protection when operating this product. Wear hearing protection during extended periods of operation.
- **Condition of Product Before Use.** Inspect condition of the product before use. Only operate the tool when it is in good working order and is not damaged in any way. Damaged parts have to be replaced immediately by the manufacturer or its service agent or a similar qualified person in order to avoid a hazard. Never use the tool if any of its safety devices or guards are damaged or missing.
- **Proper Stance.** Keep firm footings and balance. Do not overreach.
- **Dangerous Environments.** Do not use the product in damp or wet locations. Do not expose the tool to wet conditions.
- **Work Area.** Clear the area to be cut before each use. Remove all objects such as rocks, broken glass, nails, wire, or string that can be thrown or become entangled in the cutting attachment. Clear the area of bystanders, pets and children. At a minimum, keep all bystanders, pets and children outside a 15 m radius. Because there still may be a risk to bystanders from thrown objects, bystanders should be encouraged to wear eye protection. If you are approached while operating the product, stop the motor and ensure the line trimmer head has stopped moving.
- **Condition of Line Trimmer before use.** The Line Trimmer shall be assembled according to the manufacturer's instructions. Failure to use the proper parts may cause product failure or increase the risk of injury to the user.
- **Use the Right Product.** This line trimmer should be used exclusively for trimming grass, weeds and light undergrowth. Do not use it for any other purpose.
- **Use of Product.** Never allow children to use the tool. Never allow other persons who are not familiar with the operating instructions to use the tool. Never use the tool when there are people, particularly children or pets nearby.
- **Responsibility.** The user is responsible for any accidents or hazards suffered by third parties or their property.
- **Maintenance.** Switch off the tool and pull plug from the socket before carrying out any cleaning or maintenance work.
- **Outdoor Use.** When working outdoors, use only extension cables which are approved for outdoor use.
- **Electrical.** Extension cables must have a minimum cross section of 1.5 mm².
- **Plugs.** Plug connections must have earthing contacts and be protected from water.

- 1) The appliance is not intended for use by young children or infirm persons unless they have been adequately supervised by a responsible person to ensure that they can use the appliance safely."
- 2) Young children should be supervised to ensure that they do not play with the appliance
- 3) For additional protection the installation of a residual current device (RCD) with a rated residual operating current not exceeding 30 mA is advisable.
- 4) Be familiar with the controls and the proper use of the appliance.
- 5) Before use check the supply and extension cord for signs of damage or ageing.
- 6) If the cord becomes damaged during use, disconnect the cord immediately from the supply. **DO NOT TOUCH THE CORD BEFORE DISCONNECTING THE SUPPLY.**
- 7) Keep cords away from cutting elements
- 8) **WARNING!** Cutting elements continue to rotate after motor is switched off.
- 9) Only use in daylight or in good artificial light.
- 10) Before using the machine and after any impact, check for signs of wear or damage and repair as necessary.
- 11) Keep hands and feet away from the cutting means at all times and especially when switching on the motor.
- 12) Never use replacement parts or accessories not provided or recommended by the manufacturer.
- 13) Disconnect the machine from the mains before checking, cleaning or working on the machine and when it is not in use.
- 14) Always ensure that ventilation openings are kept clear of debris.
- 15) After use, disconnect the machine from the mains and check for damage.
- 16) When not in use store the machine out of the reach of children.
- 17) Take care against injury from the blade(s) fitted for trimming the filament line length. After extending new cutter line, always return the trimmer to its normal operating position before switching on
- 18) Inspect and maintain the trimmer regularly. Have the trimmer repaired only by an authorized repairer.
- 19) Always disconnect the trimmer from the mains when leaving the trimmer unattended.
- 20) Never fit metal cutting elements.
- 21) do not use the appliance if the cord is damaged or worn"
- 22) Read the instructions carefully, Be familiar with the controls and proper use of the equipment.
- 23) Keep extension cord away from cutting elements.
- 24) Never allow children or people unfamiliar with these instructions to use the trimmer.
- 25) Avoid using the trimmer, while people, especially children or pets, are nearby.
- 26) Never operate the trimmer with damaged guards or shields or without guards or shields in place.
- 27) Switch on the motor only when the hands and feet are away from the cutting means.
- 28) Use only the manufacturer's recommended replacement parts and accessories.
- 29) If the supply cord is damaged, it must be replaced by the manufacturer, its service agent or similarly qualified persons in order to avoid a hazard.

Applications

Use this product for the following applications:

- Cutting grass, weeds and light undergrowth.
- Edging along paths and driveways.

The Pope POWER TRIM Electric Line Trimmer is designed to be used around the home and should only be operated within its design limitations. Tools of this category which are designed for home and garden use should only be operated in such settings. Tools of this category are not suitable for use in public facilities, parks and sports centres, on farms or in the forestry sector.

Unpacking

- Carefully remove the product from the box.
- Inspect the product carefully to make sure no breakage or damage occurred during shipping.
- Do not discard the packing material until you have carefully inspected and satisfactorily operated the product.
- If any parts are damaged or missing please call the Pope Customer Service Centre on 1300 134 880 for assistance.

Packing List

Line trimmer (1)

Auxiliary handle (1)

Grass Deflector Guard with Adjustable Tree guard (1)

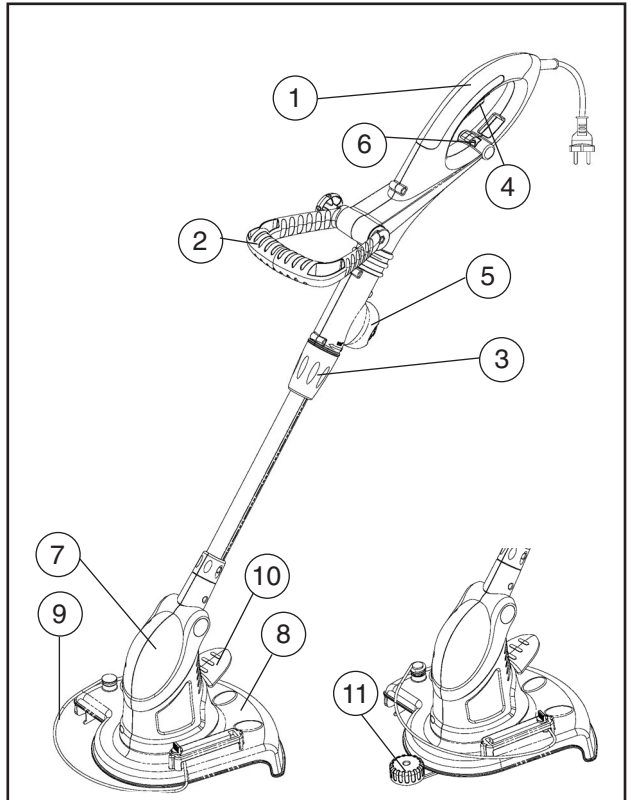
Edging Wheel (1)

Screws (6)

Operator's Manual (1)

Product Layout and Descriptions

1. Control handle
2. Auxiliary handle
3. Adjustment collar to extendible or lower shaft
4. On/Off lever
5. Integrated spool holder
6. Cord lock
7. Trimmer head
8. Grass deflector guard
9. Adjustable Tree Guard
10. Footplate
11. Edge Guide Wheel



SPECIFICATIONS

Name	Pope Power TRIM Line Trimmer 500
Model Number	101LET500
AC motor	230-240V/50Hz
Cutting Diameter	300 mm
Rated power	500W
Cutting line thickness	Ø1.5 mm
speed	n ₀ 9800/min

ASSEMBLY

Attaching the Grass Deflector Guard and Edge Guide Wheel

See Fig 1

Follow these steps to attach the Grass Deflector Guard and Edge Guide Wheel:

1. Take your trimmer and grass deflector guard out of the packaging.
2. Place the guard over the spool holder on your trimmer lining up the lugs on the guard with the spaces on the trimmer. It should be positioned at about 90 degrees to the correct position (1).
3. Once fully engaged, turn the grass deflector guard to lock it in place. The guard should be facing the rear of the trimmer.
4. Affix the Grass Deflector Guard with one screw to secure in place (2).
5. Connect the Adjustable Tree Guard to the top of the grass deflector plate (3). It should be secured with two screws (4).
6. To attach the Edge Guide Wheel, position over the back of the Grass Deflector Guard and affix with the three remaining screws. This should be securely screwed through the screw holes in the guard (5).

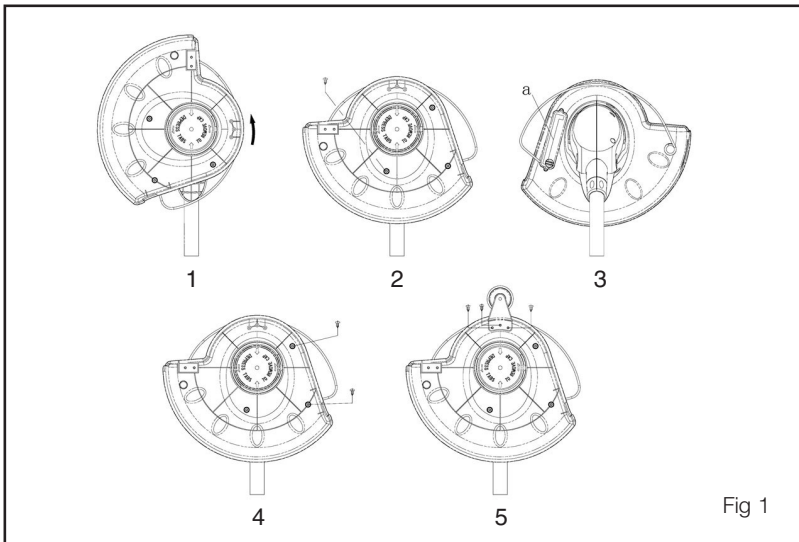


Fig 1



WARNING

Never use the trimmer without the guard. This guard is essential for safety and for the correct operation of the tool.

Attaching the Auxiliary Handle

See Fig 2

Follow these instructions to attach the auxiliary handle:

1. Place the handle on the handle mount as shown.
2. Adjust the handle to the most comfortable position.
3. Pass the bolt through the auxiliary handle and the handle mount through to the other side.
Note: the hex head on the handle bolt only fits one way.
4. Tighten so that the handle is secure. **DO NOT OVERTIGHTEN.**
5. To adjust, loosen the handle bolt and reposition accordingly. Retighten handle bolt.

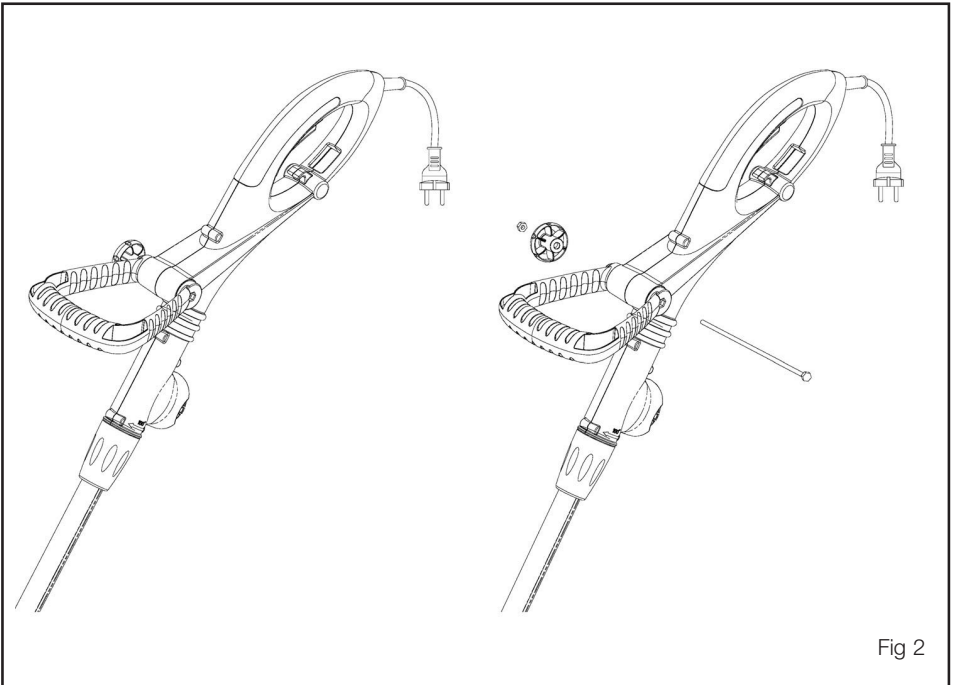


Fig 2

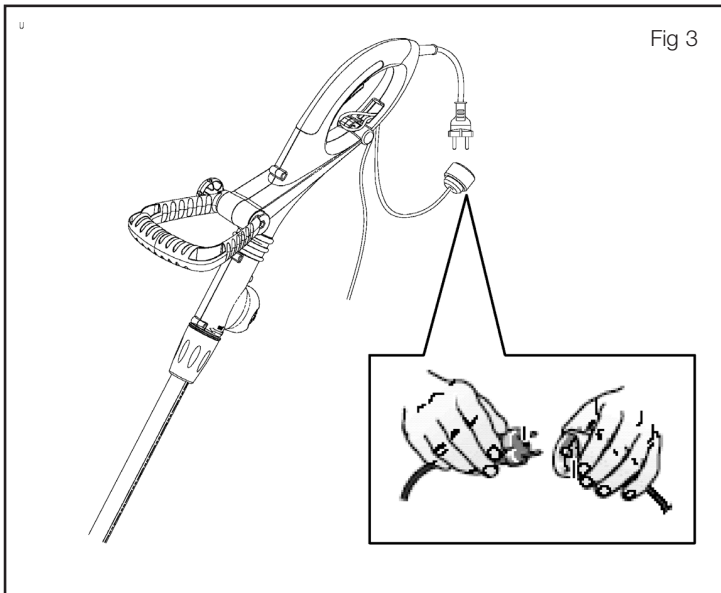
OPERATION

To Operate the Line Trimmer

See Fig 3

Follow these steps to operate the Line Trimmer:

1. Make a loop with the extension power cable and insert it through the cord lock.
2. Place the end of the loop around cable securing hook and ensure it is pulled firmly enough to prevent it coming loose while operating the trimmer.
3. Insert the plug from the line trimmer into the extension cable.
4. Hold the trimmer at waist level.
5. Hold the auxiliary handle in one hand, place the other hand on the main handle (the index finger should be ready to squeeze the trigger).
6. Start the Line Trimmer and approach the area to be cut.
7. For best cutting, swing the trimmer gently from side to side and walk forward while keeping the shaft of trimmer at an angle of 30 degrees to achieve best cutting results. (i.e. the base plate will be parallel to the surface to be cut. Do not overload your trimmer. It operates best at high speed).
8. To cut long grass, start at the top, take several small cuts. Working downwards, in a sweeping action. Never cut wet or very damp grass.
9. The line should be protected against premature wear caused by striking hard obstacles. A worn line will reduce cutting capacity.



Adjusting the Shaft Length

See Fig 4

Follow these steps to adjust the shaft length:

1. The shaft height can be adjusted up or down according to the user's optimum operating height.
2. To adjust, twist the black adjustment collar to loosen the collar. The shaft length can then be changed.
3. After adjustment lock the shaft firmly into place by twisting the collar in the opposite direction.

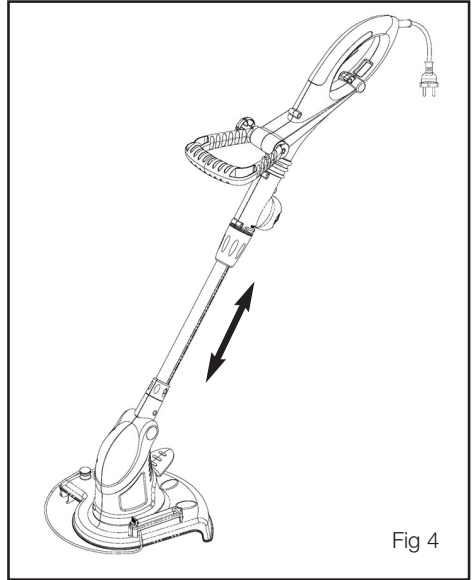


Fig 4

Converting to an Edger

See Fig 5

Follow these steps to convert the line trimmer into a lawn edger:

1. Depress the footplate and push down the handle to the lowest position.
2. By loosening the black adjustment collar, the handle of the line trimmer can be rotated in either direction up to 180 degrees.
3. Once in position ensure the black adjustment collar is securely tightened.
4. Ensure the adjustable tree guard is out of the way for edging.
5. By placing the guide wheel on the paved surface the nylon cutting line will be placed in the correct position to ensure a neat edge.

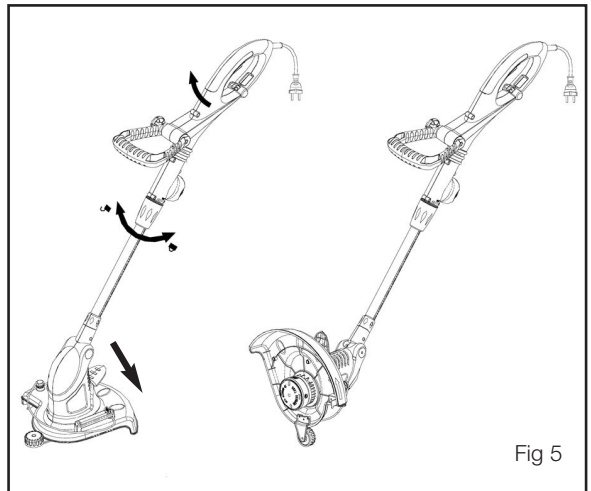


Fig 5



WARNING

The Line Trimmer head will continue to rotate after the motor is switched off.

MAINTENANCE

Follow these general maintenance guidelines before each use.



WARNING

All maintenance, service and cleaning work must be performed after the power cord has been disconnected from the socket.

- Check that all nuts, bolts and screws are securely tightened in order to be sure that the machine is in a safe working condition.
- Frequently check for an accumulation of grass and soil around the cutting head, remove accumulations with a stiff brush.
- Only use replacement cutting spools.
- For your own safety, replace worn or damaged parts without delay.

Cleaning

Do not use high-pressure cleaners or running water to clean the product.

- Do not use any aggressive cleaning agents.
- Use a damp rag to wipe dirt marks off of the product.

Storage

Electric tools should be kept in a dry place when not in use. Do not store with an accumulation of grass around the cutting head, moisture in the grass may cause damage.

WARRANTY

You must keep your receipt as proof of purchase for return of the product under the terms of this warranty.

Your Pope product is guaranteed to be free from defects in materials or workmanship for a period of 24 months from the date of purchase provided the product has been used in accordance with the manufacturer's recommendations.

If the product becomes defective within the warranty period we guarantee to either replace or repair the product at our option, provided that:

- The product is returned to the place of purchase with evidence of purchase i.e. the receipt.
- The product is used for general household use only, where household use means use of the product on the same lot as your home. Use at more than one location is considered commercial use and no warranty applies for commercial use.
- The product has not been used for hire purposes.
- Repairs, alterations or modifications have not been attempted to the product.
- The failure is not as a result of normal wear and tear.

Failures due to the following are not covered:

- Replacing worn or damaged blades, nylon line or chains or cables damaged in storage or during use. These are regarded as replacement items which wear during normal usage.
- Failures as a result of sudden impact or obvious abuse.
- Failures due to usage not in accordance with instructions and recommendations contained in this manual.

To the fullest extent permitted by law Toro Australia Pty Ltd is not liable for any indirect, incidental, or consequential loss or damage in connection with the use of the Pope product covered by this warranty or for any cost or expense of providing substitute equipment or service during any period of malfunction or non-use pending completion of repairs under this warranty.

The above warranty does not exclude any condition or warranty implied by the Trade Practices Act 1974 or any other relevant legislation which implies any condition which cannot be excluded.

Pope® is a Registered Trademark of Toro Australia Pty Ltd
53 Howards Rd Beverley South Australia 5009

Made in China to Pope's Specifications